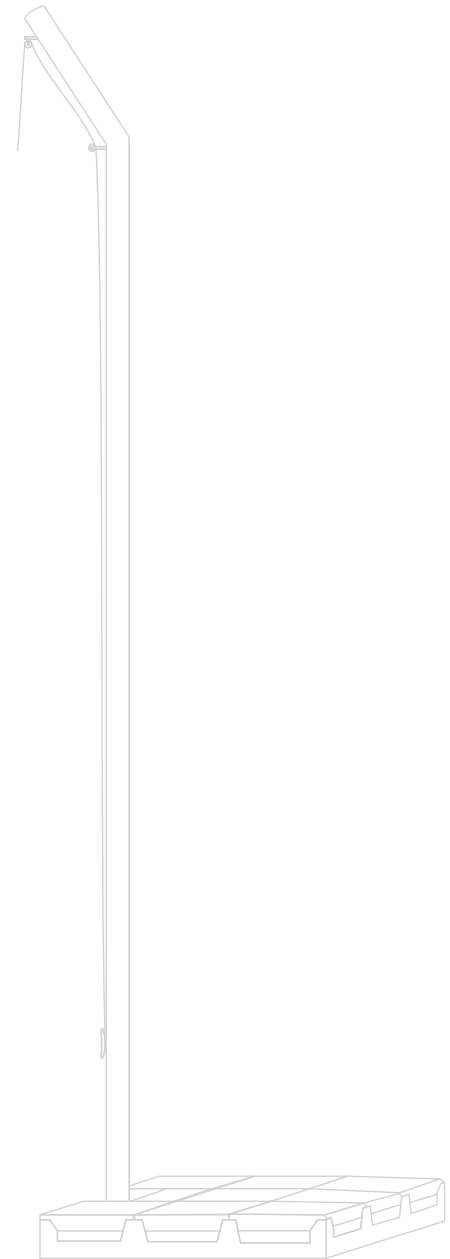


DISCUS THROW CAGE

INSTALLATION MANUAL

ART NO: 5121487
DISCUS THROW CAGE
INS-2018-05-28

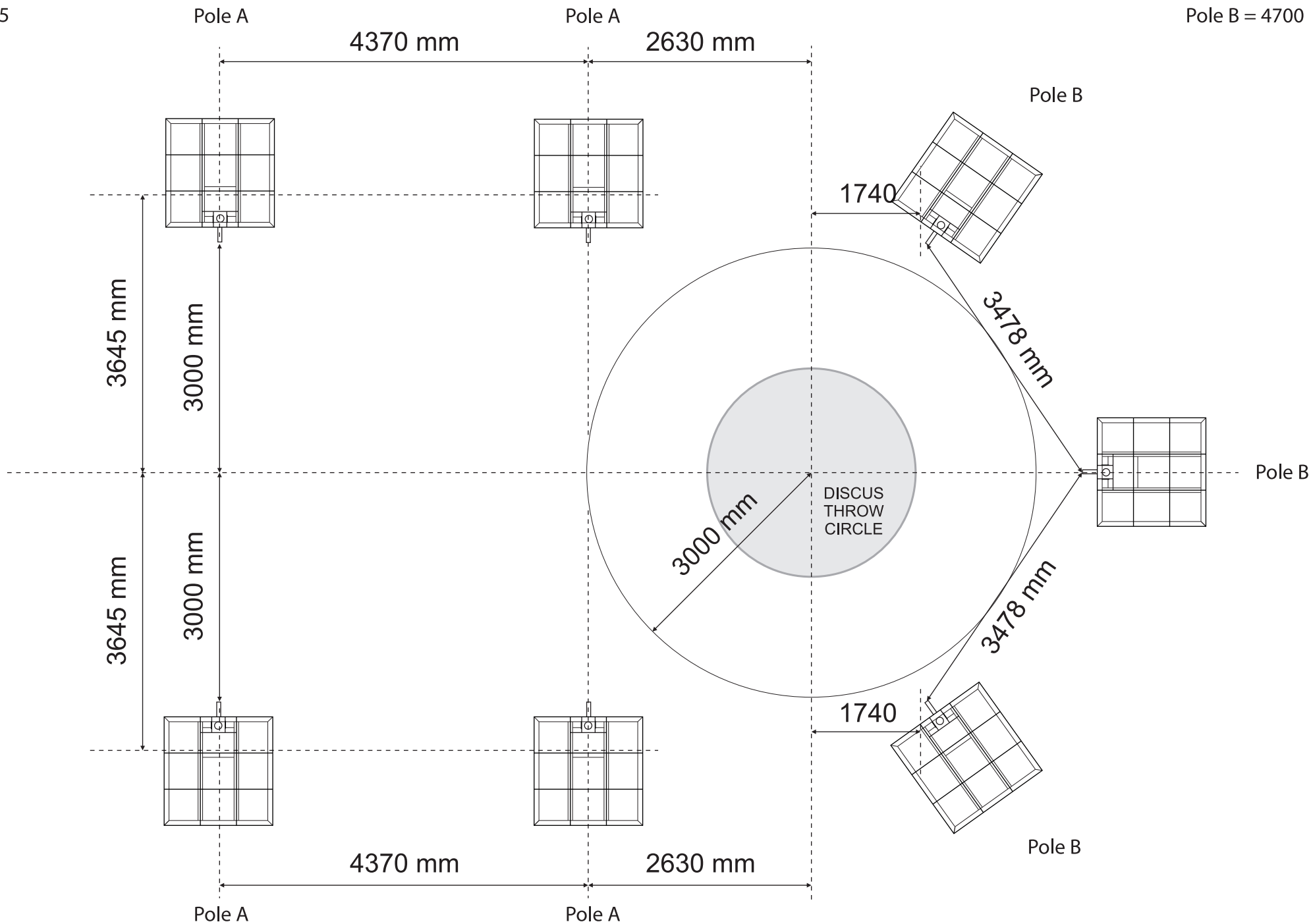
This instruction shall not be treated as an offer according to law regulations, it should be treated as an information.
Products presented in this instruction may be subject to technical modifications without previous notice.



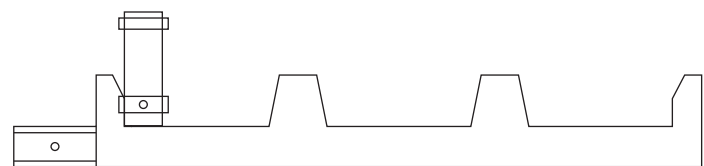
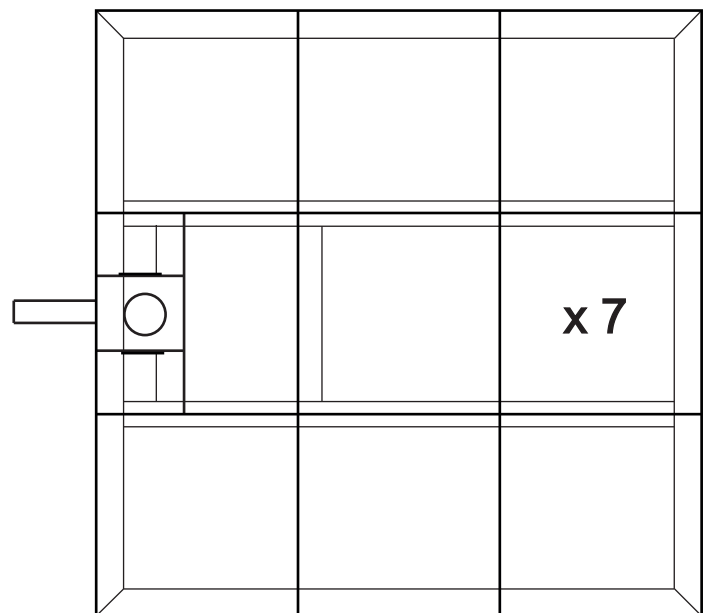
DISTRIBUTION OF ELEMENTS

Pole A = 6385

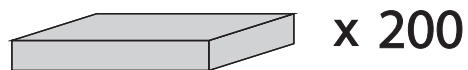
Pole B = 4700



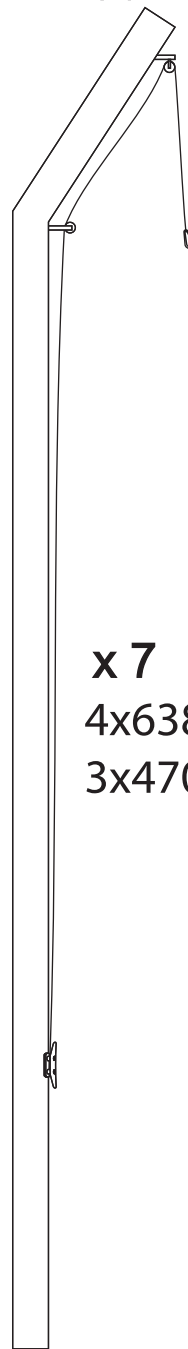
FOUNDATION FOR POLES (A)



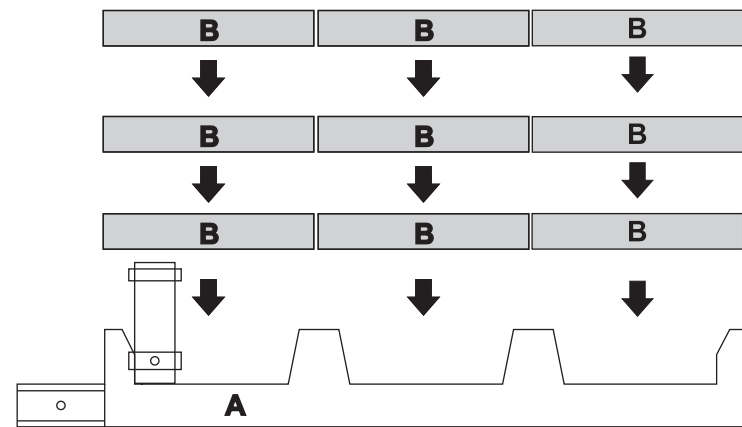
FLAGSTONE (B)



POLE (C)

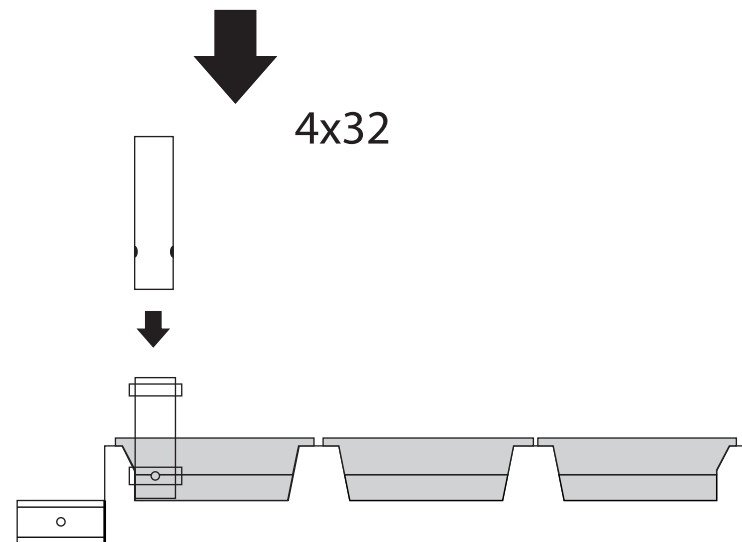


x 7
4x6385
3x4700



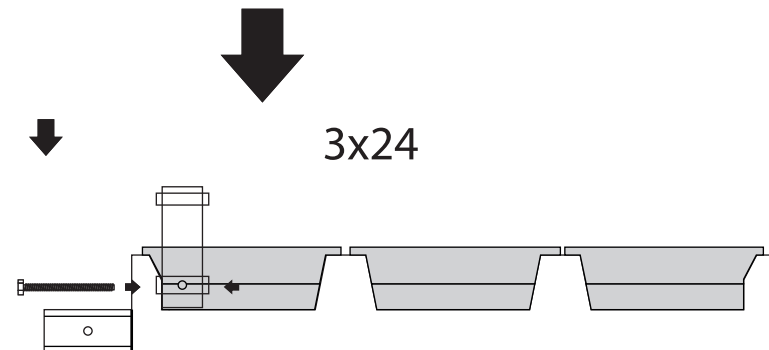
Pole A

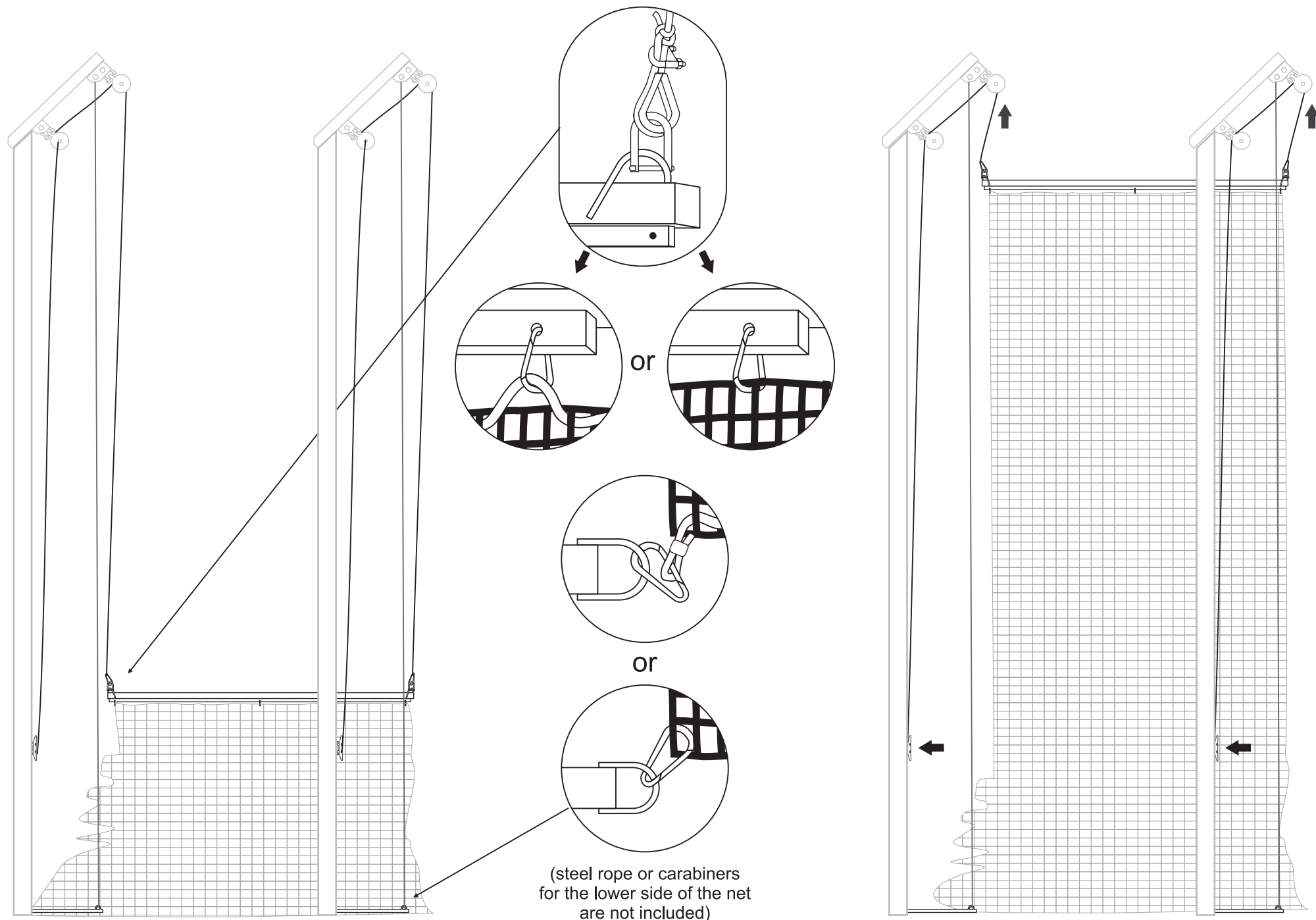
4x32



Pole B

3x24





OVERVIEW

IMPORTANT NOTICE!



1kg / m²

	<p>Please remove the net in case of raining or snowing.</p>	<p>Please remove the net when the wind is faster than 5m/s</p>	<p>Net weight should not exceed 1 kg per m²</p>
--	---	--	--

